

**YODOGAWA**

OSAKA TOKYO NAGOYA FUKUOKA  
*PARTNER FOR CLEAN FACTORY*

**MADE IN  
JAPAN**

**GRINDER**

***GRINDER Series***

Bench grinder **FG- SY-**

Belt grinder **FS- YS-**

Buff grinder **FB- B-**

**ELECTRIC GRINDER  
WITH DUST COLLECTOR**



# BENCH GRINDER WITH DUST COLLECTOR

## FG Series

Voltage  
Change is  
possible

MADE IN  
JAPAN

YODOGAWA is the pioneer of "the bench grinder with a dust collector".

We have poured into this FG type the know-how of a quarter of a century, and a new idea. Please take advantage of the know-how of a quarter of a century, and a new idea, by all means.

## Feature

### In-house production

The motor for grinders and the motor for the dust collector are very excellent. They are manufactured only for FG. And we are designing and producing them by ourselves.

### High performance Dust collector

The dust collector is compact. And it can also be used as a floor stand for a bench grinder. In addition, the best filter, and the equipment for shaking the dust off are attached to it.

### Easy operation and Maintenance

A use of the FG type is its easiness. Because the switch, the check door, and the dust box are in front. This can be fixed with an anchor bolt only.

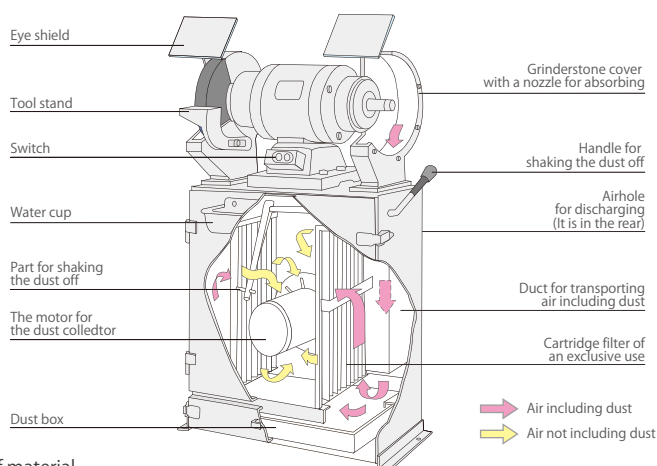
### High Safety

This inhales the dust of a grinder powerfully. An eye shield and a water cup are attached. These are very convenient.

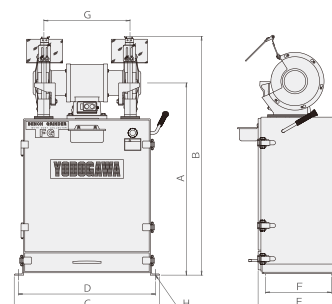


FG205T

### Figure of structure & Figure of dust filtration



### Measurements (mm)



	FG150S/T	FG205S/T	FG255T/TH	FG305T	FG355T
A	810	824	860	890	910
B	986	1024	1088	1167	1190
C	620	620	620	700	780
D	584	584	584	656	736
E	344	344	344	444	444
F	280	280	280	350	350
G	311	367	437	462	478
H	4-14 φ	4-14 φ	4-14 φ	4-14 φ	4-18 φ

### Bill of material

※please specify frequency at the time of an order (at FG255T/TH, FG305T, FG355T)

Specification	Type	FG150S	FG150T	FG205S	FG205T	FG255T	FG255TH	FG305T	FG355T							
Bench grinder	Size of grindstone (Outside Diameter*Thickness*Inside diameter) (mm)	150 φ × 16 × 12.7 φ		205 φ × 19 × 15.88 φ		255 φ × 25 × 19.05 φ		305 φ × 32 × 25.4 φ		355 φ × 50 × 31.75 φ						
	Maximum circumference speed of grindstone (m/s)	28		39		24		48		29		33				
	Number of turns (50Hz/60Hz) (min <sup>-1</sup> )	3000/3600		3000/3600		1500/1800		3000/3600		1500/1800		1500/1800				
	Output (W)	200 (1/4HP)		400 (1/2HP)		750 (1HP)		1500 (2HP)		2200 (3HP)						
Dust collector	Output (W)	400		400		400		750		750						
	Wind velocity of control at the work spot of a grindstone cover (m/s)	Over 5m/s		Over 5m/s		Over 5m/s		Over 5m/s		Over 5m/s						
Power supply voltage (V)	1 φ 100		3 φ 200		1 φ 100		3 φ 200		3 φ 200		3 φ 200					
All consumption's electric current (A)	8.5/9.7		2.8/2.9		11.8/12.7		3.7/3.7		5.9/5.5		5.6/5.4		10.4/10.0		13.1/12.5	
Weight (kg)	80		90		120		165		200							

※Grindstone of prescription size belongs to FG of each type (It is attached within the grindstone cover). Use the grindstone fitting the circumference speed above-stated, when exchanging a grindstone.

※Above-mentioned voltage is the indication of a standard in JAPAN. Different voltage is possible. Please specify. The electric current changes in this case.

⚠ To prevent fire, after sparks, etc. are emitted, please be sure to perform a maintenance check.

# BELT GRINDER WITH DUST COLLECTOR

## FS Series

Voltage Change is possible  
MADE IN JAPAN

FS series has the same strong points as FG series,  
The belt grinder with a dust collector which made the belt grinder.

### Feature

#### Easy belt exchange

A dust-collecting cover can be opened and closed easily, and its workability is good, and it is easy to maintain.

#### Two kinds by a use

Two kinds are prepared. It is The high-speed type for the hard quality of the material, and the low-speed type for the soft quality of the material.

Furthermore, there are a horizontal type (standard), and a vertical type (option).

#### The saucer into which water is put

It prevents sparks adhering to a filter.

It is built in Dust box.

(It may be unable to be used according to the contents of work and adhesion of sparks is not prevented completely.)

#### Measurements (mm)

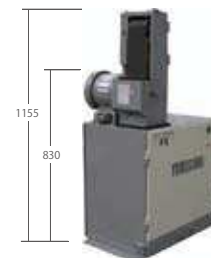


A dust-collecting cover



FS-3N

A horizontal type and a vertical type cannot be made to serve a double purpose (A different dust-collecting cover). As for a vertical type, "H" is attached to the end of form.



FS-2NH

#### Bill of material

Specification	Type	High speed type (for the hard material)			Low speed type (for the soft material)		
		FS-1N	FS-2N	FS-3N	FS-10N	FS-20N	FS-30N
Belt grinder	Size of belt (Width*Length) (mm)	100×915			100×915		
	Speed of belt (m/s)	50/60Hz 17.2/20.7			50/60Hz 8.6/10.3		
	Output (W)	400 (1/2HP)		750 (1HP)	400 (1/2HP)		750 (1HP)
Dust collector	Output (W)	400			400		
	Wind velocity of control at the work spot of a dust cover (m/s)	Over 5m/s			Over 5m/s		
Power supply voltage (V)		1φ100	3φ200		1φ100	3φ200	
All consumption's electric current (A)		14.0/13.0	4.0/3.8	5.6/5.4	14.0/12.8	4.2/4.0	5.9/5.5
Weight (kg)		93	90	97	94	92	97

※please specify frequency at the time of an order.

※The belt for test grinding (#80) and the tool for adjustment are attached.

⚠ To prevent fire, after sparks, etc. are emitted, please be sure to perform a maintenance check.

# BUFFER WITH DUST COLLECTOR

## FB Series

Voltage Change is possible  
MADE IN JAPAN

FB series has the same strong points as FG series,  
The buffer with a dust collector which made the buff grinder.

### Feature

#### Easy buff exchange

A dust-collecting cover can be opened and closed easily, and its workability is good, and it is easy to maintain.

#### Two kinds by a use

Two kinds are prepared. It is The high-speed type for the hard quality of the material, and the low-speed type for the soft quality of the material. (Only 700W or 1500W)

A dust-collecting cover



FB-10T

#### Measurements (mm)

	FB8S/T	FB10T/TH	FB12T/TH
A	835	892	902
B	1047	1111	1140
C	620	700	700
D	584	656	656
E	344	444	444
F	280	350	350
G	644	802	918
H	4-14φ	4-14φ	4-14φ

#### Bill of material

Specification	Type	FB-8S	FB-8T	FB-10T	FB-10TH	FB-12T	FB-12TH
		Buff grinder	Size of buff (Max) (mm) (Outside Diameter*Thickness*Inside diameter)	205φ×35×15.88φ		255φ×38×19.05φ	
	Number of turns (50Hz/60Hz) (min <sup>-1</sup> )	3000/3600		1500/1800	3000/3600	1500/1800	3000/3600
	Output (W)	400 (1/2HP)		750 (1HP)	1500 (2HP)		
Dust collector	Output (W)	400		750	750		
	Wind velocity of control at the work spot of a dust cover (m/s)	Over 5m/s		Over 5m/s	Over 5m/s		
Power supply voltage (V)		1φ100	3φ200		3φ200		
All consumption's electric current (A)		13.8/12.7	4.0/3.7	7.5/7.1	7.2/7.0	10.4/10.0	10.0/9.7
Weight (kg)		98		129		151	

※please specify frequency at the time of an order.

※A buff is not contained. A customer needs to choose. The tool for adjustment are attached.

⚠ To prevent fire, after sparks, etc. are emitted, please be sure to perform a maintenance check.

⚠ This machine purpose machine. Attaching a grindstone cannot be used by any means.

※The contents of this Catalog are subject to change without prior notice.

# BENCH GRINDER

# SY Series

By the design which observed the safety standard of Japan strictly, it excels in workability and durability. It is produced under he thorough safety control with the track record for 60 years or more.

Voltage Change is possible  
MADE IN JAPAN

⚠️ ※Grindstone of prescripton size belongs to SY of each type (It is attached within the grindstone cover). Use the grindstone fitting the circumference speed adove-stated,when exchanging a grindstone.

SY255T



Bill of material	Output (W)	Voltage (V)	Number of Turns (min <sup>-1</sup> )		Maximum circumference speed of grindstone (m/sec)	Size of grindstone (mm) (Outside Diameter*Thickness*Inside diameter)	Weight (kg)
			50Hz	60Hz			
SY125S	125	1 φ 100	3000	3600	24	125 φ × 13 × 9.53 φ	9.0
SY150S	200	1 φ 100	3000	3600	28	150 φ × 16 × 12.70 φ	14.5
SY150T	200	3 φ 200	3000	3600	28	150 φ × 16 × 12.70 φ	14.5
SY205S	400	1 φ 100	3000	3600	39	205 φ × 19 × 15.88 φ	25.0
SY205T	400	3 φ 200	3000	3600	39	205 φ × 19 × 15.88 φ	25.0
SY255T	750	3 φ 200	1500	1800	24	255 φ × 25 × 19.05 φ	54.5
SY255TH	750	3 φ 200	3000	3600	48	255 φ × 25 × 19.05 φ	54.5

# BELT GRINDER

# YS Series

• High speed type (for the hard material)  
• Low speed type (for the soft material)  
Combination of a horizontal type and a vertical type is possible. It is easy to work and convenient.

Voltage Change is possible  
MADE IN JAPAN

Bill of material

	Output (W)	Voltage (V)	Speed of belt (m/sec)		Size of belt (Width*Length)	Weight (kg)	
			50Hz	60Hz			
High speed type (for the hard material)	YS-1N	400	1 φ 100	17.2	20.7	100×915	24.4
	YS-2N	400	3 φ 200	17.2	20.7	100×915	24.4
	YS-3N	750	3 φ 200	17.2	20.7	100×915	30.1
Low speed type (for the soft material)	YS-10N	400	1 φ 100	8.6	10.3	100×915	29.9
	YS-20N	400	3 φ 200	8.6	10.3	100×915	28.5
	YS-30N	750	3 φ 200	8.6	10.3	100×915	30.5

※The belt for test grinding (#80) and the tool for adjustment are attached.



YS-2N

YS-2N

(a vertival type / cover is removed)

# BUFF GRINDER

# B Series

The safety design which did not extend only a shaft but extended the shaft cover. It is preparing 2 models, High speed type and Low speed type, for the 750/1500W class.

Voltage Change is possible  
MADE IN JAPAN

Bill of material

Bill of material	Output (W)	Voltage (V)	Number of Turns (min <sup>-1</sup> )		Size of buff (Max) (mm) (Outside Diameter*Thickness*Inside diameter)	Weight (kg)
			50Hz	60Hz		
B205S	400	1 φ 100	3000	3600	205 φ × 35 × 5.88 φ	32.0
B205T	400	3 φ 200	3000	3600	205 φ × 35 × 5.88 φ	32.0
B255T	750	3 φ 200	1500	1800	255 φ × 38 × 19.05 φ	45.0
B255TH	750	3 φ 200	3000	3600	255 φ × 38 × 19.05 φ	45.0
B305T	1500	3 φ 200	1500	1800	305 φ × 44 × 25.40 φ	67.0
B305TH	1500	3 φ 200	3000	3600	305 φ × 44 × 25.40 φ	67.0

※A buff is not contained. A customer needs to choose. The tool for adjustment are attached.



B305T

⚠️ This machine purpose machine. Attaching a grindstone cannot be used by any means.

Manufacturer



Partner for clean factory  
**淀川電機製作所**  
YODOGAWA ELECTRIC TOOL MFG.CO.,

Head Office & Main Factory

2-1-8 Hashirii Toyonaka OSAKA JAPAN  
TEL.+81-6-6853-2621 FAX.+81-6-6853-3155

Branch Office  
H P : U R L

OSAKA/TOKYO/NAGOYA/FUKUOKA  
<http://www.yodogawadenki.jp>

Customer Support

+81-6-6853-2621 tech@yodogawadenki.jp

CATNO,E/GL201309

※The contents of this Catalog are subject to change without prior notice.